

WEATHERPROOF GOOSENECK



Date: 11 August 2008, Revision: V1

Introduction:

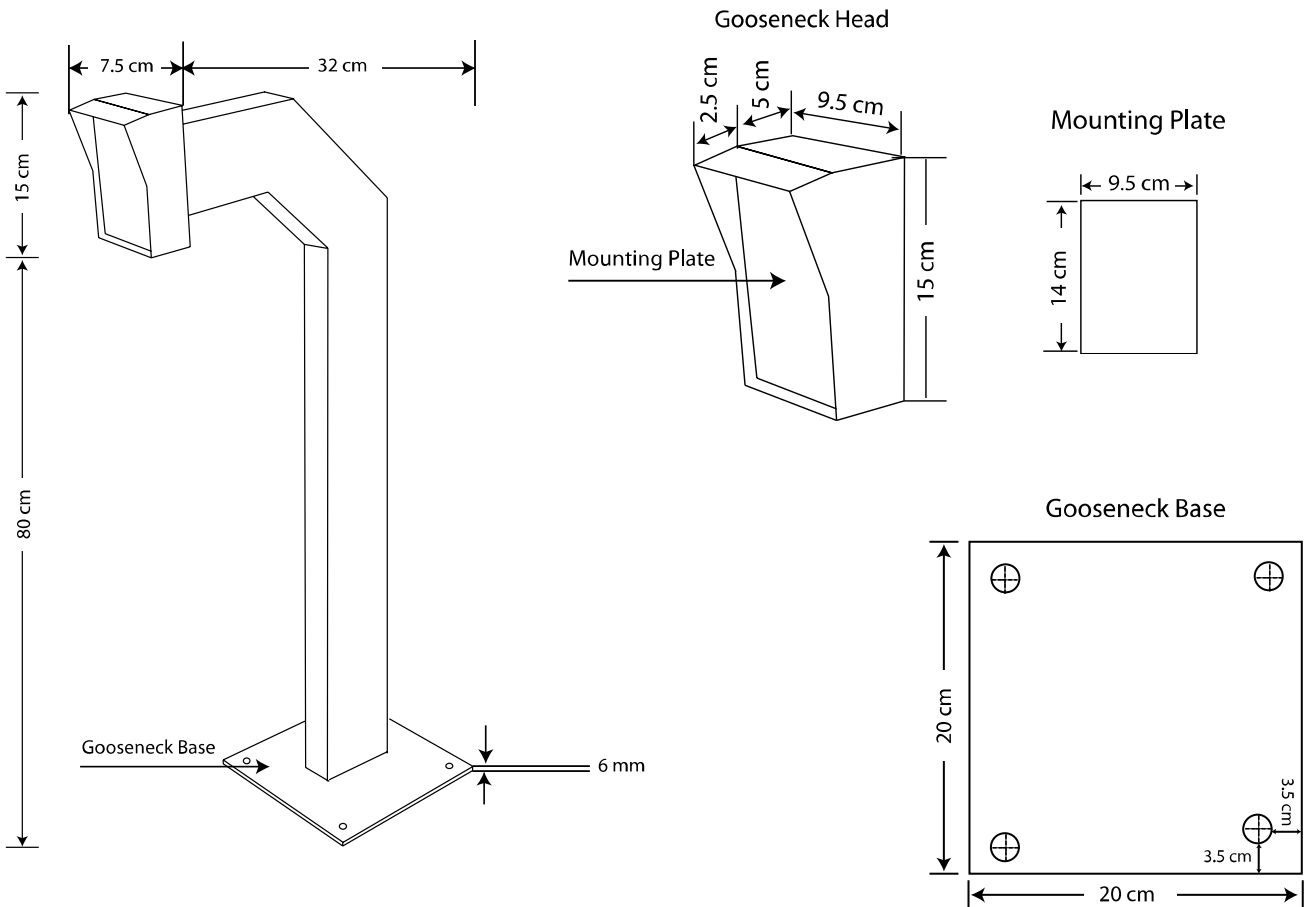
Goosenecks are used to mount proximity reader for motorist to flash the card to enter and exit from the property car park.

Specification:

- Finish with Epoxy Paint
- Mild Steel
- Square mounting plate
- Curve provides easy access for the motorist
- Surface Mount
- Rain cover protects reader from direct rain
- Orange Color

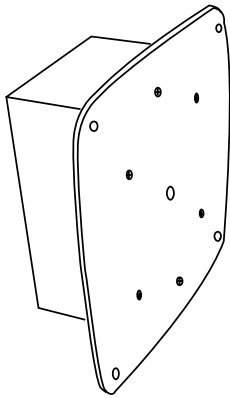


Dimension Diagram:

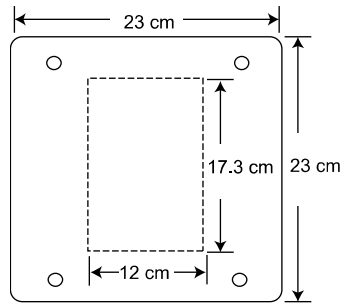


Optional Accessories:

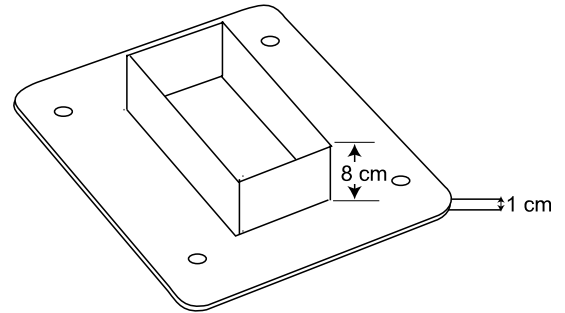
Mounting Bracket for AR661U



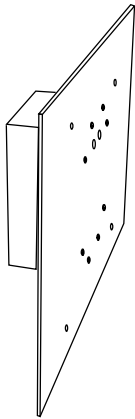
Front View Dimension



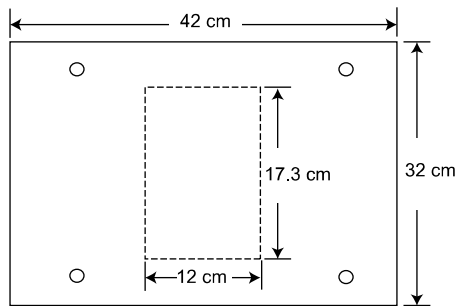
Back View Dimension



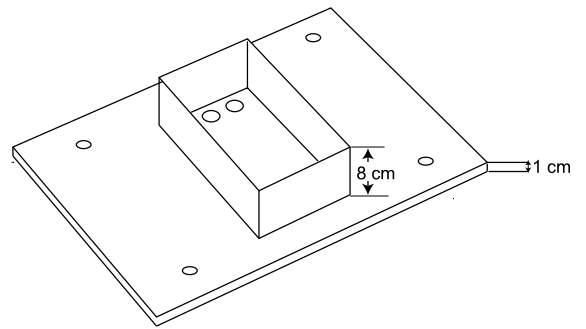
Mounting Bracket for GP 90



Front View Dimension



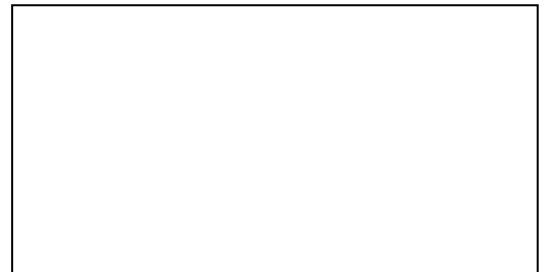
Back View Dimension



Ordering Information:

Model Name	Description
GS-SD	Standard Gooseneck to mount access control system.
Other Accessories :	
BKT GP90	Gooseneck mounting bracket for GP90

Authorized Dealer:



© COPYRIGHT 11 August 2008. This documentation served as a reference only. It is subject to change without further notice. All the diagrams and information in this documentation may not be duplicated or modified in any form without the written approval from the management.