

AR200U

Mid Range RFID Wiegand Reader



New version
EXRF
Extended RF
Technology

Introduction

By adopting **EXRF technology** AR200U achieves a more stable and powerful reading power to penetrate vehicle solar film. This allows users to flash their card more conveniently and comfortably from better range. In term of stability and resistance to interference, the performance of EXRF also has been proven much excellent than old type mid range technology.

AR200U can effectively penetrate solar film and allows CDS18L mid range proximity card to be read from inside the car without winding down windows.

CDS18L is passive RFID card (without battery) that offer more affordable and convenient car parking access control. Ideal solution for residential and commercial building. No more hand getting wet during rainy day and less car robbery risk at entrance.

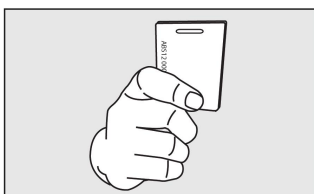
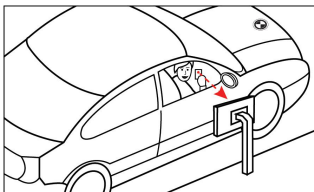
Features

AR200U has built in auto-tuning function to compensate presence of metal and interference. Red LED display at front section indicates frequency deviation from 125Khz due to noise interference at site. This can be used to determine best installation location with minimum interference to achieve maximum reading range. Blue LED display at front indicates reading and error status.

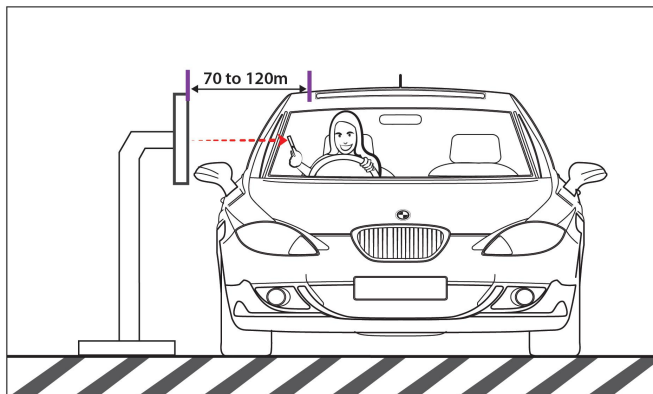
Specification

Interfaces	Wiegand 26,34 (selectable output option)
Reading Range	70 cm to 120 cm depending on interference at site and types of solar film installed on car.
RFID Cards Accepted	125KHz, 64 bits, Manchester encoding
power consumption	DC 19.2V, Idling = 300 mA, scanning card = 330 mA
Operating Temperature range	- 10 ~ +60° C
Audio /Visual indication	Bright blue LED and buzzer
Dimensions	420 (w) x 320 (L) x 45(D) mm

How it works?



Flash passive card by hand to achieve more affordable mid range access.

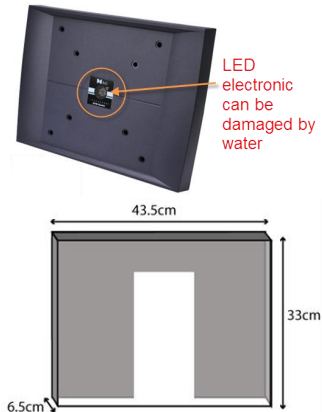


AR200U should be same height with vehicle side windows to achieve best reading range

Accessories

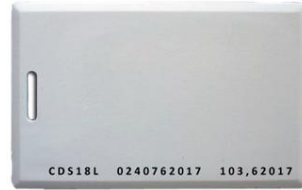
AR200HSE waterproof housing

AR200U is not fully waterproof and requires external housing for outdoor installation.



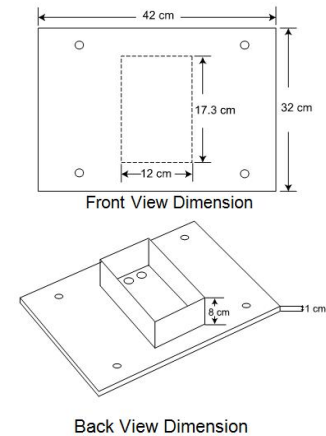
CDS18L Long Range Card

EXRF enhanced mid range card. Reading range from 70 to 120 cm



AR200BKT Mounting Bracket

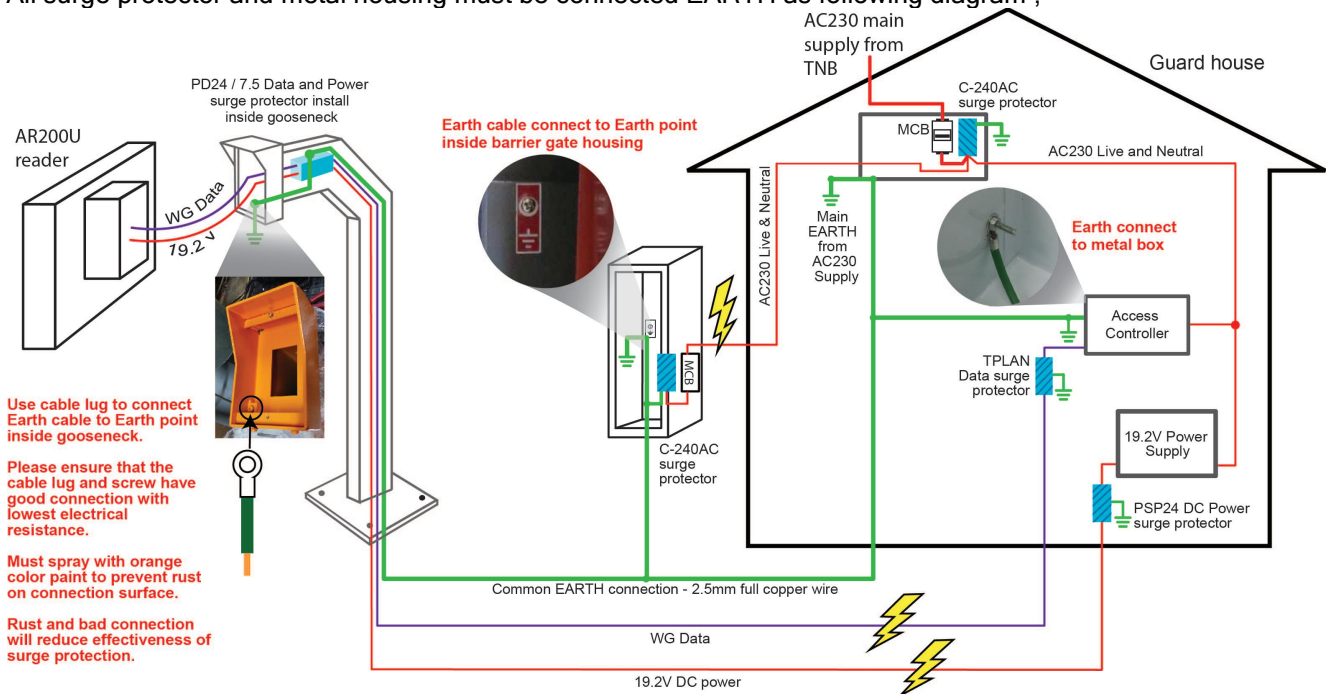
Acrylic Mounting Bracket to mount AR200U to Gooseneck



Surge protection

Any electronic devices installed outdoor is susceptible to damage by lightning surge. Warranty does not cover AR200U damaged by lightning surge. Therefore correct surge protection is important to ensure AR200U is well protected.

All surge protector and metal housing must be connected EARTH as following diagram ;



Ordering Information

Model	Description
AR200U	EXRF mid range Wiegand reader
CDS18L	EXRF mid range 125Khz proximity card
GSSD	Gooseneck
AR200BKT	Mounting bracket for AR200U
AR200HSE	Waterproof housing for AR200U

Model	Description
PD24/7.5	Protect AR200U's WG data and 19.2V
C240 AC	Protect AC230 power supply for barrier gate, access controller and AR200U's adapter.
TPLAN	Protect 2 port WG data at access controller.
PSP24	Protect AR200U's power supply