



Performance DIRECT TCPIP

Fingerprint with LCD & Keypad
Embedded slim installation



AR837EF
Optical sensor

Inspired,
Stylish,
Redefined...

Silverblack color concept further enhance modern contemporary impression of your office. Innovative case design allowed embedded installation into wall to achieve slim outlook.

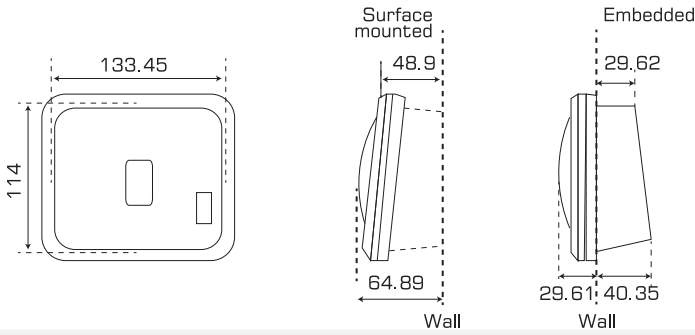
Soyal Fingerprint reader empower unique fingerprint biometric of each person to be used as ultimate identification that increase security level and time attendance accuracy for your organization.



MAG Etegra

Integrated Access Security Software

Dimension AR837EF

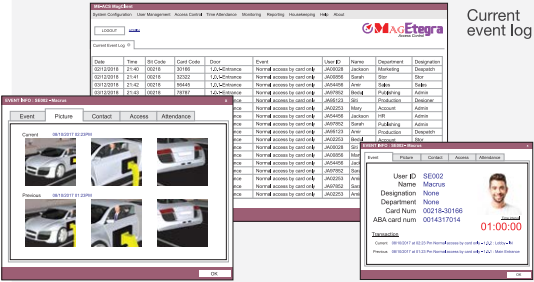


ME-ACS software is available in 4 versions as follows:



LITE	Single PC, Single RS485 or TCPIP connection, simple time attendance.
STANDARD	Single PC, 3x RS485 or TCPIP connection, advance time attendance.
PRO BASIC	Multiple PC within LAN, Multiple RS485 or TCPIP connection, CCTV picture capture up to 8 camera, advance time attendance.
PRO ADVANCE	Multiple PC within LAN and internet (multi branch), Multiple RS485 or TCPIP connection, CCTV picture capture unlimited camera, advance time attendance, Emap.

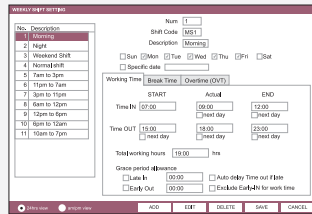
Clean and intuitive GUI help you search for access activity super fast



Double click event log to see pictures captured for that event

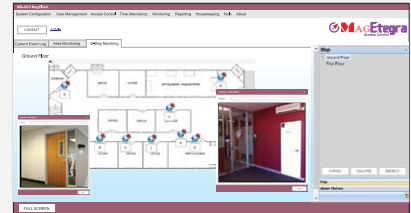
Event info

Flexible time attendance to automate clocking report and monitor staff punctuality



Advance version support multiple overnight shift and flexible shift. Attendance will calculate work time, over time, late arrive and early go back.

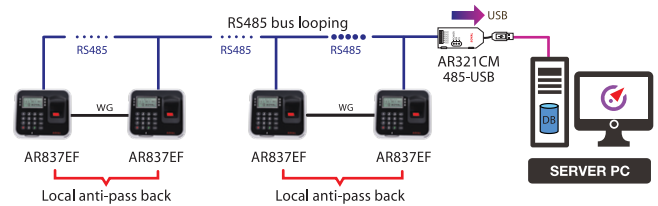
E-Map pin point threat location and helps you response to alarm faster



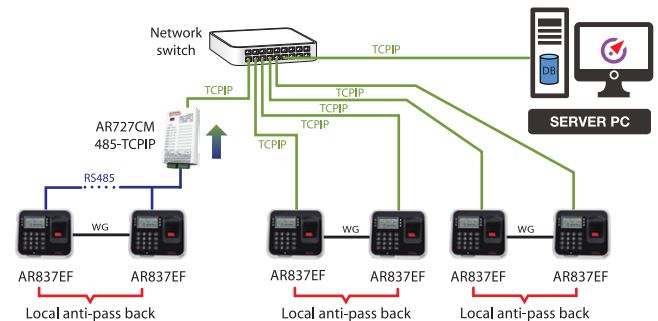
E-map will automatically pop up according to alarm event. Double click on icon will pop up live view video of the door.

Model	AR837EF
Card user	16,000 card users
Event memory	32,000
Time zone	63
Holiday per year	120
Door group	255
Anti-passback	YES (Local anti-passback)
Alarm function	Door sensor input for force entrance and door open too long
Duress function	4 duress code pin number
LCD screen for AR837EF only	Graphical big LCD 128 x 64 (4 line message, 16 character per line)
External weigand port	Yes, WG26 / WG34
Push button input	YES
Access mode	Fingerprint only*
Pin only for AR837EF	Card only/ Card or PIN/ Card + PIN
Fingerprint sensor	Optical sensor OS
1:1000 identification time	700 msec
FRR	<0.01%
Fingerprint module CPU	400 MHz DSP
Image size	384 Bytes
Fingerprint capacity	9,000 templates (each user 2 templates)
Sensor size (mm)	63(L) x 43(W) X 10(H)
Encryption	256 bit AES (fingerprint data protection)
Card reading range	EM 5-8cm & Mifare 2-5 cm
Relay output	1 x Door relay output 1 x Alarm relay output
Door unlock time interval	Toggle, 0.1 - 600 sec
Alarm relay timer	Toggle, 0.1 - 600 sec
Communication interface	RS485 & TCPIP
Serial port	RS485 , 9600, N, 8, 1
Ethernet TCPIP	10/100M Base T
Power consumption	10 to 18VDC. Less than 5W
Operating temperature	0° C to 50° C
AR837EF dimension & weight	128 x 147 x 65 mm (LxWxH), 520g
AR881EF dimension & weight	151 x 81 x 73mm (LxWxH), 330g

RS485 connection



TCPIP network connection



TCPIP is the recommended connection method. ME-ACS Pro Advance software can support simultaneous download of fingerprint templates into multiple fingerprint readers via TCPIP connection. This can reduce waiting time significantly especially if you have a lot of fingerprint templates. This is much faster compared to downloading template one reader at a time via RS485 connection.

Wiring connection

