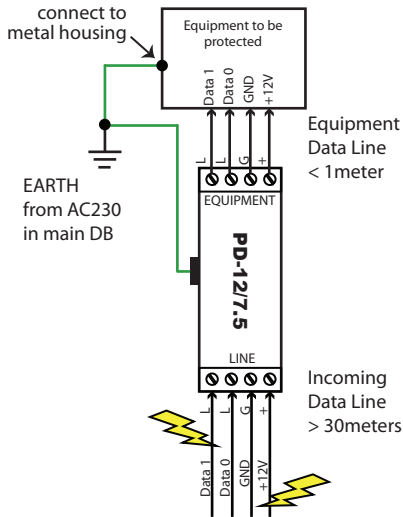
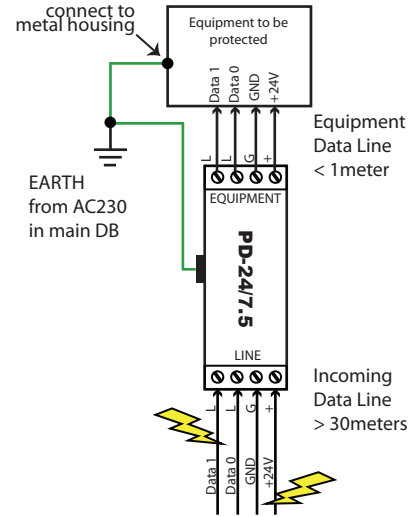


LPS SURGE PROTECTOR WIRING

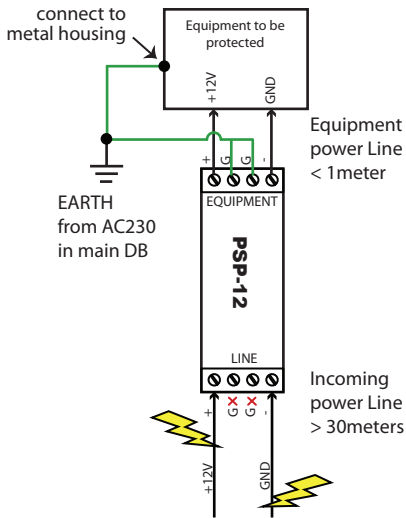
PD-12/7.5 Protect data (Wiegand or RS485) and 12V



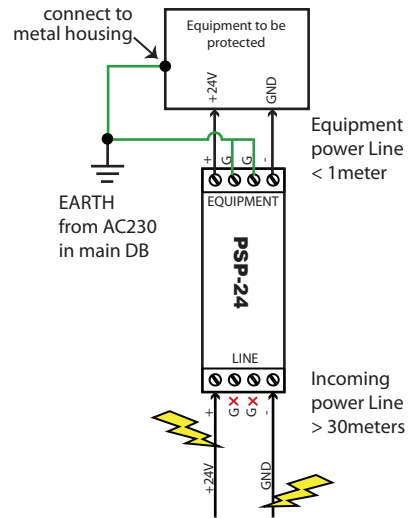
PD-24/7.5 Protect data (Wiegand or RS485) and 24V



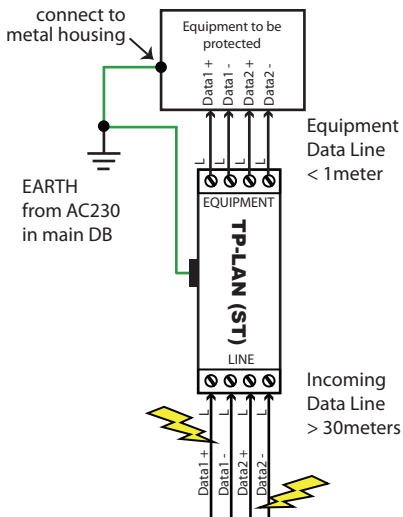
PSP-12 Protect 12V DC power



PSP-24 Protect 24V DC power



TP-LAN (ST) Protect 2 data port (Wiegand or RS485)



C-240AC Protect AC230 power supply

