

MGI32044 - 32CH Network Video Recorder

WWW.MAG.COM.MY



Description

MGI32044 series is a high performance 32 ch with real time 4K resolution live view NVRs which support Ultra 265/H.265/H.264 high profile compression format and the most advanced SoC technology to ensure real time recording in each channel and realize outstanding robustness of the system.

MGI32044 is come with VCA detection, VCA search which consist of smart AI detection and smart AI playback search features. Futhermore it can also support statistical analysis for people counting function.

The series of product can meet different security sector requirement of industrial, financial, commerce, enterprise, transportation and government, etc.

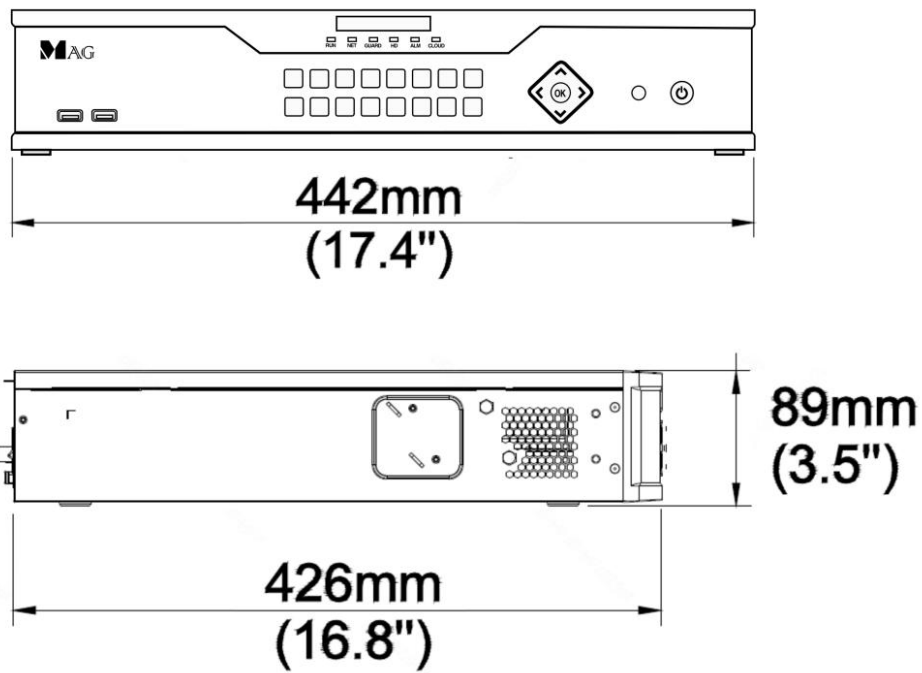
Features

1. Support Ultra 265/H.265/H.264 video formats
2. 32-channel input
3. Third-party IP cameras supported with ONVIF conformance: Profile S, Profile G, Profile T
4. Support 2-ch HDMI (HDMI1 and HDMI2 up to 4K 3840×2160 resolution) and 1-ch VGA
5. HDMI1, HDMI2, VGA independent outputs provided
6. Up to 12 Mega-pixels resolution recording
7. Support RAID 1, 5
8. 4 SATA HDDs, Up to 10TB for each HDD
9. Various fisheye de-warping modes for live view and playback for both web interface and GUI
10. ANR technology to enhance the storage reliability when the network is disconnected
11. Support cloud upgrade
12. Support Smart: VCA detection face detection, Intrusion detection, cross line detection, audio detection, defocus detection, scene change detection, auto tracking, object left behind and object removed.
13. Support VCA Search : face search and behaviour search.
14. Support statistical analysis people counting

Technical Parameter

Video/Audio Input	
IP Video Input	32-ch
Two-way Audio Input	1-ch, RCA
Network	
Incoming Bandwidth	384Mbps
Outgoing Bandwidth	384Mbps
Remote users	128
Protocols	P2P, UPnP, NTP, DHCP, PPPoE
Video/Audio Output	
Video Output	HDMI1/HDMI2 (HDMI audio output is not supported): 4K 3840x2160/30Hz, 1920x1080p/60Hz, 1920x1080p/50Hz, 1600x1200/60Hz, 1280x1024/60Hz, 1280x720/60Hz, 1024x768/60Hz VGA: 1920x1080p/60Hz, 1920x1080p/50Hz, 1600x1200/60Hz, 1280x1024/60Hz, 1280x720/60Hz, 1024x768/60Hz
Recording Resolution	12MP/8MP/6MP/5MP/4MP/3MP/1080p/960p/720p/D1/2CIF/CIF
Audio Output	1-ch, RCA
Synchronous Playback	16-ch
Corridor Mode Screen	3/4/5/7/9/10/12/16/32
Decoding	
Decoding Format	Ultra 265, H.265, H.264
Live view/Playback	12MP/8MP/6MP/5MP/4MP/3MP/1080p/960p/720p/D1/2CIF/CIF
Capability	2 x 12MP@30, 4 x 4K@30, 8 x 4MP@30, 9 x 4MP@25, 16 x 1080p@30, 32 x 960p@25
Hard Disk	
SATA	4x SATA interface
Capacity	Up to 10TB max for each HDD
Disk Array	
Array Type	RAID 1, 5
Smart	
VCA Detection	Face detection, Intrusion detection, Cross line detection, Audio detection, Defocus detection, Scene change detection, Auto tracking, Object left behind, Object removed
VCA Search	Face search and behaviour search
Statistical Analysis	Statistical Analysis
External Interface	
Network Interface	2 RJ45 10M/100M/1000M self-adaptive Ethernet Interfaces
Serial Interface	1 x RS485, 1 x RS232
USB interface	Front panel: 2 x USB2.0 Rear panel: 1 x USB3.0
Alarm In	16-ch
Alarm Out	4-ch
General	
Power Supply	100~240 VAC Power Consumption: ≤ 25 W (without HDD)
Working Environment	-10°C~+ 55°C (+14°F~+131°F), Humidity ≤ 90% RH (non-condensing)
Dimensions (WxDxH)	442mm ×426mm× 89mm (17.4" × 16.8"× 3.5")
Weight (without HDD)	≤ 5.7Kg (12.57lb)

Dimension



***Product performances is based on testing in a controlled environment. Your result may vary due to several external and environment factors.**



© COPYRIGHT 2022. This documentation served as a reference only. It is subject to change without further notice. All the diagrams and information in this documentation may not be duplicated or modified in any form without the written approval from the management.