

1200-S Electromagnet LOCK - 1200 lbs holding force

WWW.MAG.COM.MY



Description

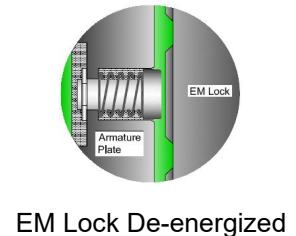
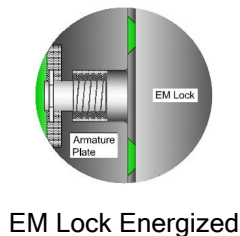
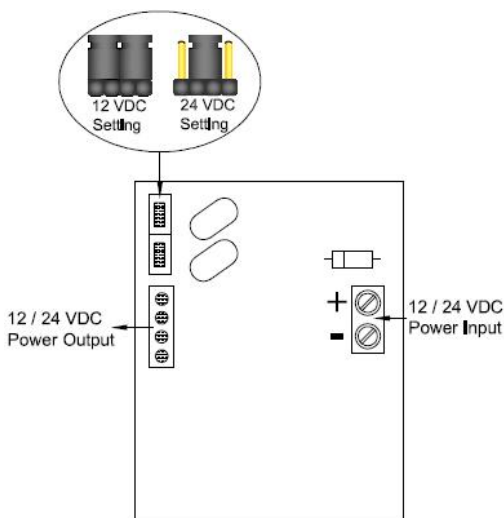
The 1200 series electromagnetic locks are renowned with its excellent holding force and the remarkable features. The series compliance to UL, CE and PSB Test are manufactured under the highest quality control to achieve the commitment to customer who always satisfied with maximum quality and reliability.

Features

- ✓ Dual Voltage Selectable (12 VDC or 24 VDC)
- ✓ Low Current Consumption
- ✓ Reliable Holding Force
- ✓ Durable and Silence Operation
- ✓ Cosmeticize Anodized Aluminum Casing
- ✓ Surge & Spike Protection PCB
- ✓ Anti-Temper Jam Nuts
- ✓ Full Range of Optional Brackets
- ✓ Anti Residual Magnetism Kick Off Button

Technical Parameter

Electromagnet Lock	
Voltage Input	12 VDC / 24 VDC
Current Draw	12V / 420mA ; 24V / 210mA (±5%)
Holding Force	Up to 1200 lbs (545 kg)
Anti-Rust Surface Treatment	Blue Zinc Plating
Operating Temperature	0~55° C (32~131° F)
Operating Humidity	0~95% (non condensing)
Weight (Magnet)	2.5 kg (±1%)
Dimensions	Magnet - (L)266x(W)47x(T)39 mm Armature - (L)185x(W)61x(T)16.5mm



IMPORTANT!

Set the jumper position according to the power input correctly before switch ON the power.

***Product performances is based on testing in a controlled environment. Your result may vary due to several external and environment factors.**

© COPYRIGHT 2021. This documentation served as a reference only. It is subject to change without further notice. All the diagrams and information in this documentation may not be duplicated or modified in any form without the written approval from the management.

