



Ensuring Your
Peace of Mind.

SPECIFICATION

23 MARCH 2023, V1

SWB103 Tubular Swing Barrier

WWW.MAG.COM.MY



Description

MAG SWB103 is an automatic motorized stainless steel tubular swing barrier. SWB103 has smallest installation footprint while offering widest opening clearance to allow big boxes, trolley, wheelchair, baby stroller or user with big luggage to pass through with comfort. Swing barrier compact size help to save space and can fit into narrow places.

Application

MAG SWB103 is typically used together with flap barrier or turnstile as manual lane for handicapped user or user with big luggage. SWB103 is suitable for low traffic light duty application and indoor usage only

Features

- ✓ **Low maintenance**, Uses DC brushless motor eliminate the need of changing carbon brush thus reducing maintenance work.
- ✓ **Better Accuracy**, Intelligent control board with auto calibrate that provide more accurate reading to ensure the opening and closing of gate at the same position at all time
- ✓ **Customized Opening**. Support bi-directional and widest 900mm opening. Gate length can be easily customized to fit site requirement. Auto synchronized opening when 2 swing barriers are installed for the same passage. Both side will open and close at the same time. Gate motor mechanism is self lock at open and close position.
- ✓ **Emergency Recovery**, During power failure, door panel will open automatically to allow free pass through. In the event of emergency such as fire alarm, swing barrier can be manually triggered to open permanently to allow fast evacuation.
- ✓ **Easy integration**, A push button or access control reader can be used to trigger the wing barrier to open via simple dry contact signal. After delay timer elapsed, swing barrier will automatically close back by itself.
- ✓ **More Safety**, Optional railing with safety IR beam can be added to auto reverse the gate upon detecting obstacle in the passage way. This way the gate is reversed before even hitting user that is still in the passage way. More safety to the user.

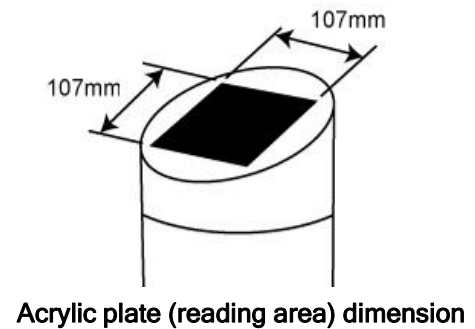
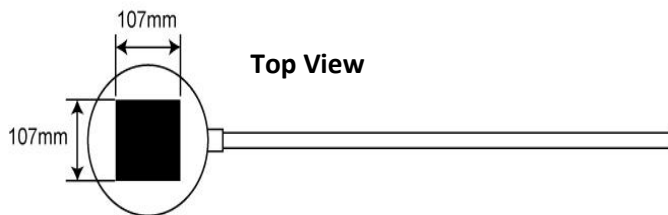
Built-in Automatic Rebound system (ARS) that will sense brute force and re-bounce back to original position when someone kick the door by force as vandalism attempt. This will protect door leaf and gearbox from being vandalized by brute force

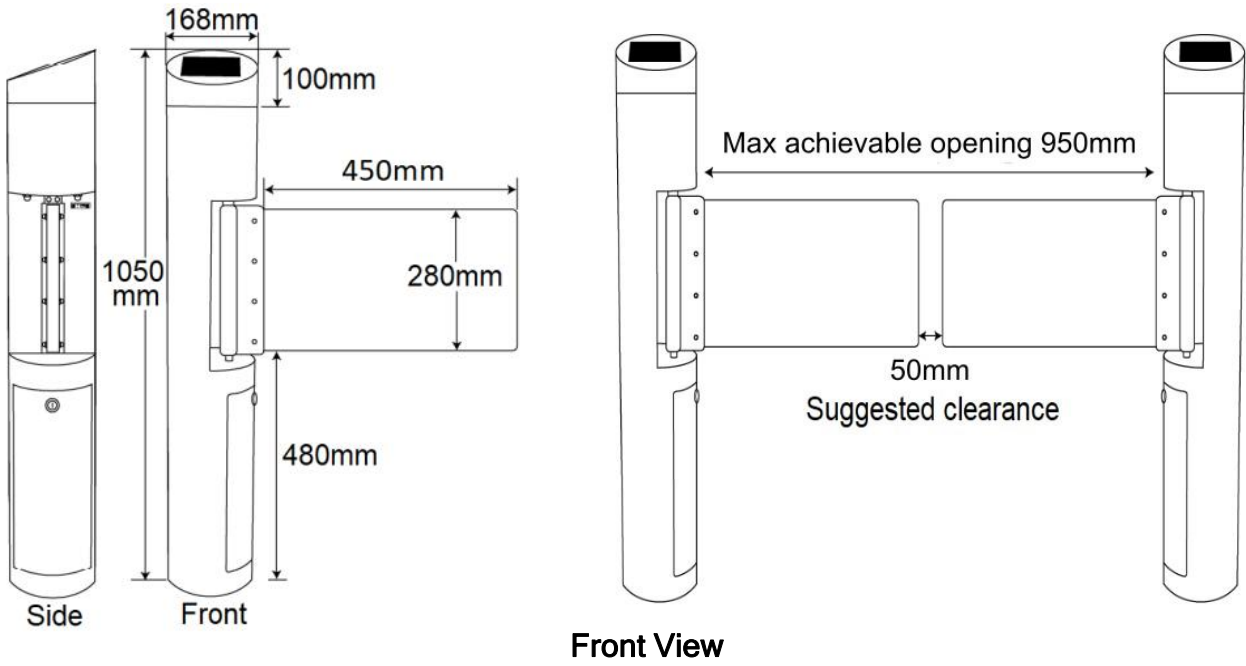
- ✓ **Widest Opening.** Compare to tripod turnstile and flap barrier, swing barrier allow widest opening clearance, SWB103 slim form factor only take up minimum space from passage clearance space. 2 unit swing barrier can be installed on same lane to give maximum clearance 910mm (Inclusive 10mm clearance)

Technical Parameters

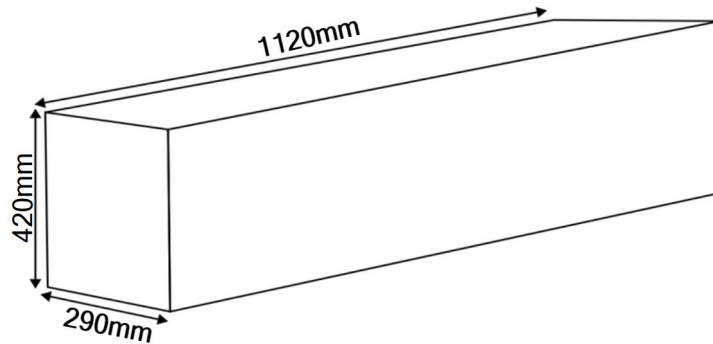
Description	Parameters
Cabinet dimension	168mm (Diameter) x 1050mm (H)
Weight	30 kg
Default gate length (transparent acrylic)	450 mm
Cabinet material	# 304 stainless steel, 2.0 mm
Power supply	AC220 ±10%V/50 ±10%HZ
Power Consumption	30 W
Motor voltage	DC 24V (Brushless motor)
Access device input voltage	Dry contact
Optimal flow rate	20 to 25 people per minute
Gate swing angle	90 deg per side
Gate opening speed	Programmable 0.9 - 2.8 sec
Initialization time	14 sec
Working environment	Indoor only
Working temperature	-35°C - 75°C
Relative humidity	≤ 90%
IP Rating	IP 52

Dimension Information





Packaging Information



Model	SWB103 (2 Nos in 1 Box)
Dimension Box	290 (W) x 1120 (L) x 420 (H) mm

*Product performances is based on testing in a controlled environment. Your result may vary due to several external and environment factors.



© COPYRIGHT 2023. This documentation served as a reference only. It is subject to change without further notice. All the diagrams and information in this documentation may not be duplicated or modified in any form without the written approval from t