

SPECIFICATION



CM43100
MAG Dark Knight
Dome 3MP POE IP Camera



CM43100 MAG Dark Knight Dome 3MP POE IP Camera For Indoor

Description

Introducing the CM43100 Dark Knight 3MP Dome network-based digital IP camera CCTV system. It comes with ColorSenseS smart LED white light and a built-in microphone, to ensure better protection. Whether day or night, it delivers enhanced visual clarity and real-time audio capture, enhancing surveillance capabilities.

See Better at night

Default Infrared illumination allows you to see further at night. ColorSense technology turns on the white light when motion is detected enabling full-color recording when it matters the most for more effective evidence..

Hear Better at night

Built-in high-sensitivity microphone to record intruder conversation or surrounding sound giving you another layer of awareness amidst no movement in total darkness.

Combining visual and audio cues, the Dark Knight Series empowers you to grasp the situation comprehensively, enhancing your protection in night time scenario

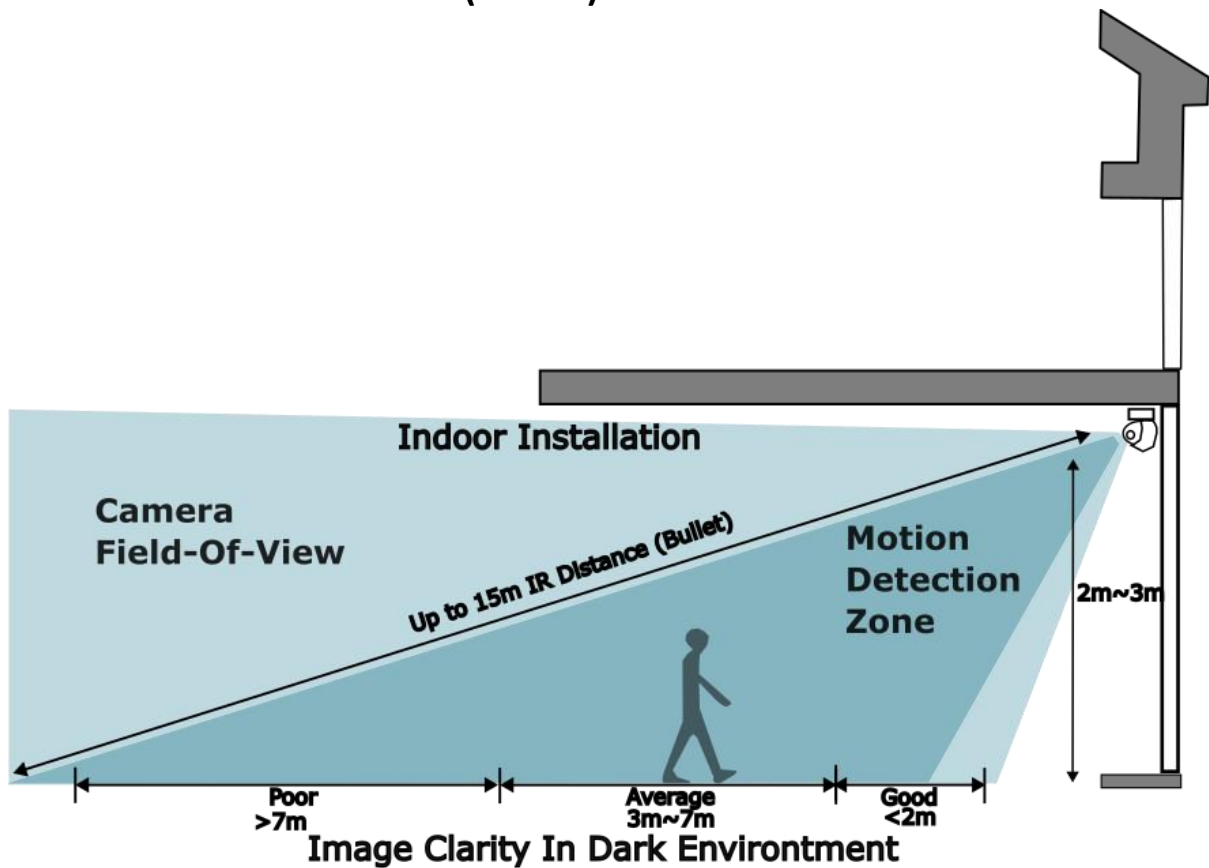
Technical Parameters

Camera	
Pixels	3.0 Mega Pixel
Image Sensor	1/3", Progressive scan CMOS Sensor
TV System	PAL/NTSC
Main stream	2560*1440/2034*1296/1920*1080/1280*720
Sub-stream	800*448/704*576/640*360/352*228
Electronic Shutter Time	Auto: PAL 1/1-1/10000Sec; NTSC 1/1-1/10000Sec
Usable Illumination	0.01Lux
S/N Ratio	≥52dB
Video Output	Network

Network	
Ethernet	RJ-45 (10/100M)
Protocol	HTTP, TCP/IP, IPv4, UPNP, RTSP, UDP, SMTP, NTP, DHCP, DNS, IP Filter, PPPOE, DDNS, IP Search
Compatible Integration	ONVIF (Profile S)
P2P	Support
POE	Support
Audio	Support
Video Delay	0.3S (Within the Lan)
Smart Phone	iPhone, iPad, Android, Android Pad
Frames Per Second	4MP@20Fps, 3MP /2MP /1MP@25Fps
Camera Features	
Day/Night	full Color / B&W
Compression	H.265 , H.264
Image Config	Saturation/Brightness/Contrast /Sharpness, Mirror, 3D NR , White Balance, BLC, FLK(Flicker Control)
Motion Detection	Support
Privacy Masking	3 Rectangular Zone
DWDR / WDR	DWDR
Recording Mode	NVR/APP/CMS/Web
Audio	G.711
Lens	
Focus Length	F1.3&3.6mm
Focus Control	Fixed
Lens Type	Fixed
Night Vision	
Infrared LED	2PCS Smart Dual Light LED
Infrared Distance	15M
IR Status	Under 10 Lux
IR Power On	Lens Auto Control
General	
Housing	Plastic
Bracket	NO
IR Cut Filter	YES
Operation Temperature	-10°C ~ +50°C RH95% Max
Storage Temperature	-20°C ~ +60°C RH95% Max

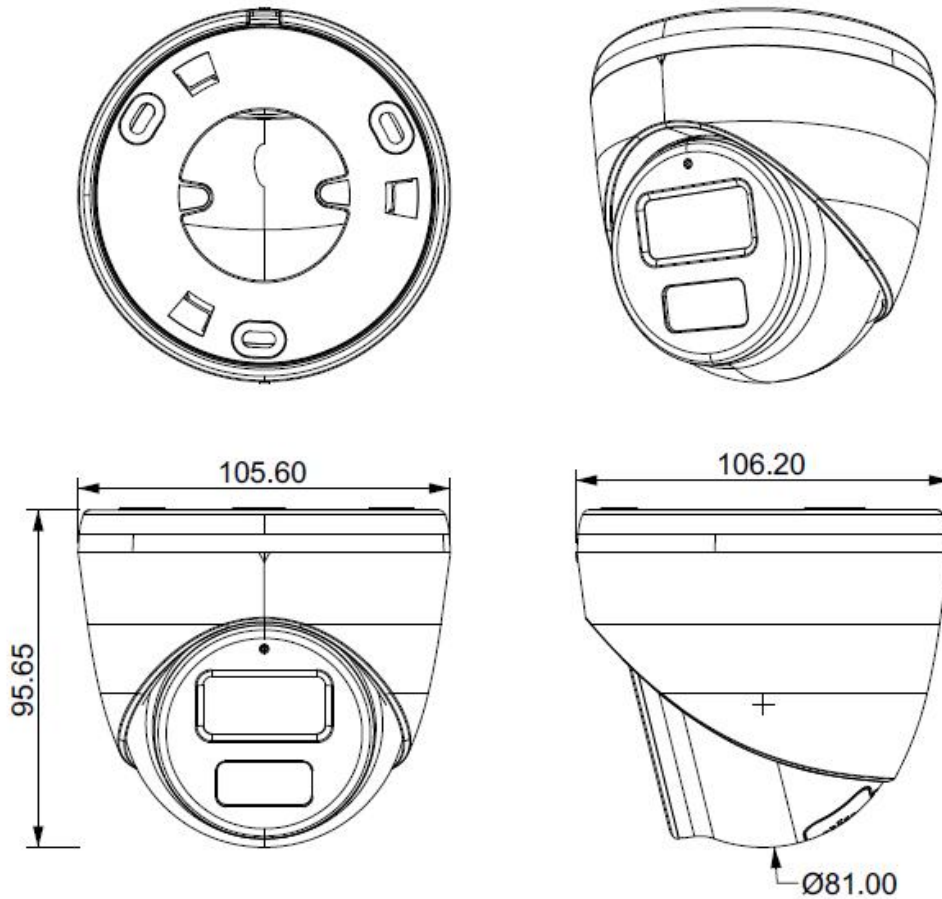
Power Consumption	DC12V±10%, 1000mA
Dimension	102*82mm
Weight	0.35kg
IP Rating	IP65

Recommended Installation (Indoor)



** Dark Knight IP Camera IR distance can up to 20meter. For the motion detection zone distance can up to 12m. For the average clarity of the image during night time recording can up to 7m. A good recommendation installation height up to 3m height

Dimension



***Product performances is based on testing in a controlled environment. Your result may vary due to several external and environment factors.**



© COPYRIGHT 2024. This documentation served as a reference only. It is subject to change without further notice. All the diagrams and information in this documentation may not be duplicated or modified in any form without the written approval from the management.