



Ensuring Your  
Peace of Mind.

## SPECIFICATION

24 August 2023, V1.2

### 180° Degree Folding Barrier Arm

WWW.MAG.COM.MY



#### Description

The 180° folding arm is the best solution for low height ceiling such as basement parking and multi level parking. MAG Barrier 180° design is optimized to be highly affordable for commercial, residential and industrial application. It can save space and avoid hitting obstacles in low-ceiling or narrow areas and it can improve traffic flow and reduce congestion by opening faster than a straight arm

#### Application

MAG 180° Folding Arm is suitable to use on all MAG Barrier Gate Model. The standard length available is 3.5m and customized length is also available upon request. Arm is made of octagon aluminium hollow. Red reflective adhesive is put on to the arm alternately for better visual during night time. Suitable for indoor and outdoor parking areas at the airport, shopping malls, warehouses, hotels, factories, condominiums, and office building

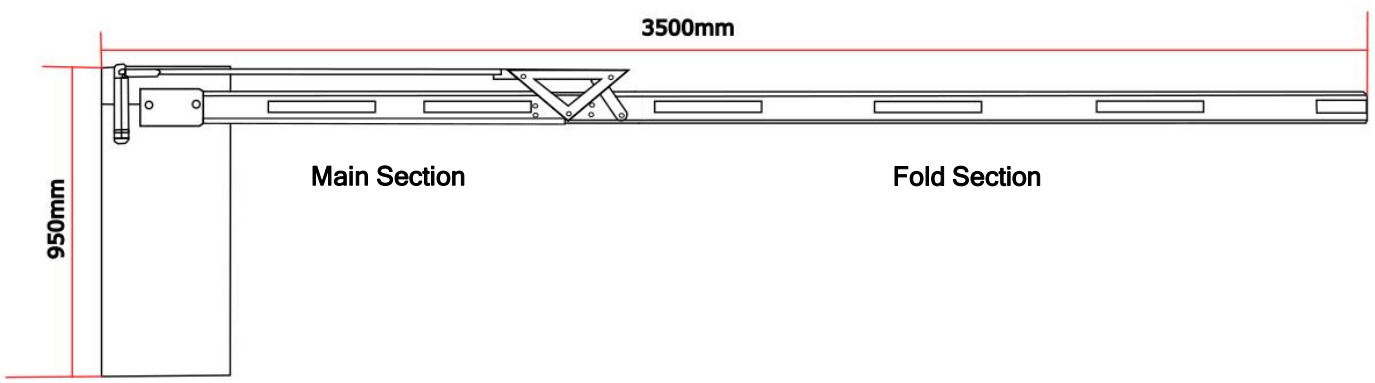
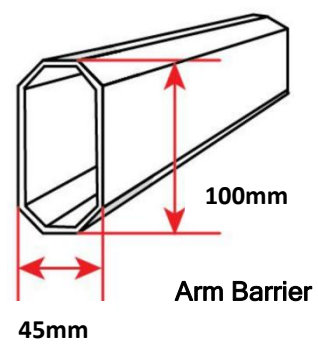
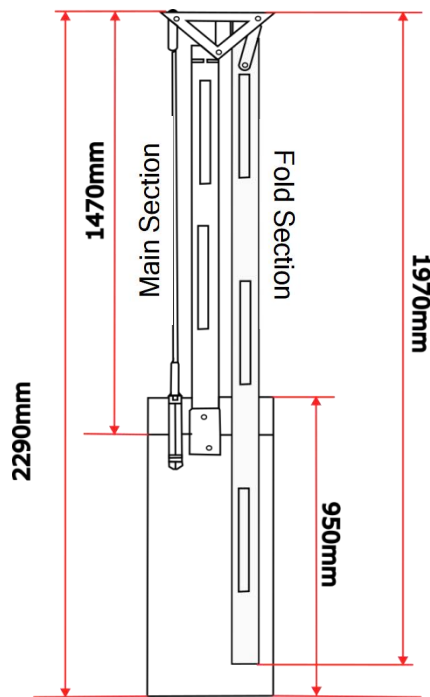
#### Features

- ✓ **Heavy Duty.** MAG Folding Barrier arm is made of aluminium alloy, and an enhanced and innovative mechanical design can reduce mechanical wear and tear. These features allow the 180° folding arm to work longer for you
- ✓ **Spare Part Availability,** If the arm is damaged, your site will be exposed to security threats if you wait a long time for spare parts to arrive from overseas. MAG offers complete spare parts and repair service locally at an affordable price to ensure your gate can resume operation in the shortest time possible.

#### Technical Parameters

Description	Parameters
Housing Material	Aluminium Alloy
Dimension	Unfold = 3.5meter Length
	180° Folding : Main Section - 1470mm Fold Section - 1970mm
Total Arm Length	3.5m
Weight	6.4kg
Additional Accessories	Foam lining

**Dimension**



\* Note: Please aware the 180° Degree Folding Barrier Arm is only recommended for BR630T\_180 barrier gate.

\*Product performances is based on testing in a controlled environment. Your result may vary due to several external and environment factors.



© COPYRIGHT 2023. This documentation served as a reference only. It is subject to change without further notice. All the diagrams and information in this documentation may not be duplicated or modified in any form without the written approval from the management.