

Straight Barrier Arm 4.5m (8CM)

WWW.MAG.COM.MY



Description

MAG Straight Barrier Arm are made of durable aluminum alloy and typically used to control vehicle access to a restricted area or parking lot, the standard straight arm is 4.5 meters long and features red reflective adhesive to enhance visibility at night. Customized lengths are also available upon request.

Application

The MAG Standard Straight Arm is suitable for all Magnet Barrier Gate Models and is commonly used at outdoor parking areas at airports, shopping malls, warehouses, hotels, factories, condominiums, car rental companies, and other locations where vehicle access needs to be controlled for security or safety purposes.

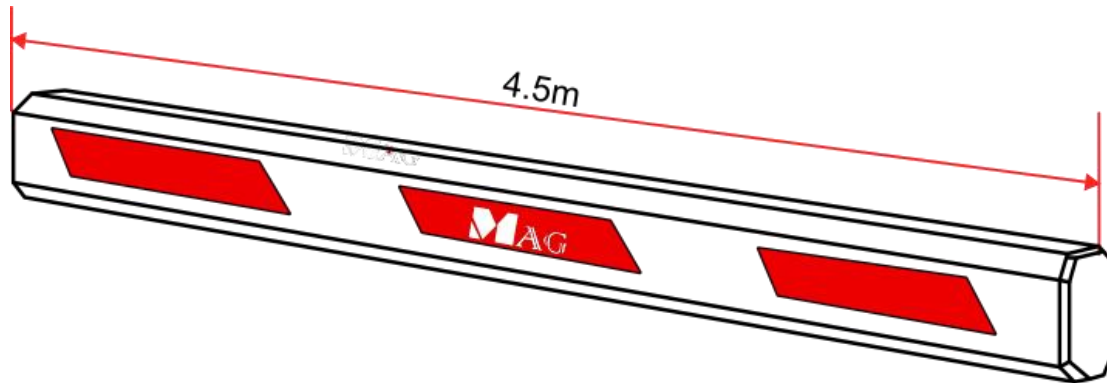
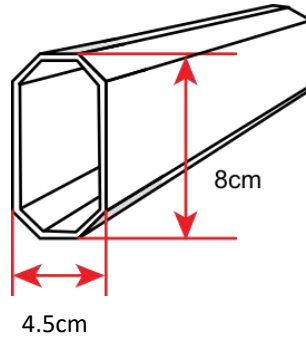
Features

- ✓ **Durability and Weather Resistance**, Straight arm barriers are made of durable aluminum alloy and are designed to withstand harsh weather conditions such as rain and high winds. This feature ensures that the barrier is long-lasting and can withstand the elements
- ✓ **Spare Part Availability**, This is an important feature as it ensures that the site is not exposed to security threats for an extended period in the event of damage to the arm. MAG offers complete spare parts and repair services locally at an affordable price to ensure that the gate can resume operation in the shortest time possible. This feature provides peace of mind to the owner of the barrier that they can quickly fix any issues with the gate

Technical Parameters

Description	Parameters
Housing Material	Aluminium Alloy
Dimension	45mm(W) x 80mm(H) x 4500mm (L)
Length	4.5 meter
Weight	3.5kg
Lining Underneath	Foam Lining / LED Rubber Lining

Dimension



*Product performances is based on testing in a controlled environment. Your result may vary due to several external and environment factors.



© COPYRIGHT 2023. This documentation served as a reference only. It is subject to change without further notice. All the diagrams and information in this documentation may not be duplicated or modified in any form without the written approval from the management.