



Ensuring Your  
Peace of Mind.

## SPECIFICATION

24 August 2023, V1.2

## Telescopic Barrier Arm

WWW.MAG.COM.MY



### Description

The standard arm 4m, 4.5m and 6m is too long and against JPJ government on the road regulation to be transported with a normal car or van. With Our telescopic arm, it can be retracted shorter to fit into a normal car or van. This helps you save money and hassle to rent an expensive big truck just to transport 1 replacement arm. The telescopic arm also is specially made to meet length according to customer requirement at site.

### Application

MAG Telescopic Arm is suitable to use on all Magnet Barrier Gate Model. They are optimized for transportation, it can be retracted shorter to fit into a normal car or van. There are 3 standard lengths available: 4m, 4.5m or 6m depend on barrier gate model. Other customized length is also available upon request. Arm is made of octagon aluminium hollow. Red reflective adhesive is put on to the arm alternately for better visual during night time. Suitable for the outdoor parking areas at the airport, shopping malls, warehouses, hotels, factories, condominiums, car rental companies

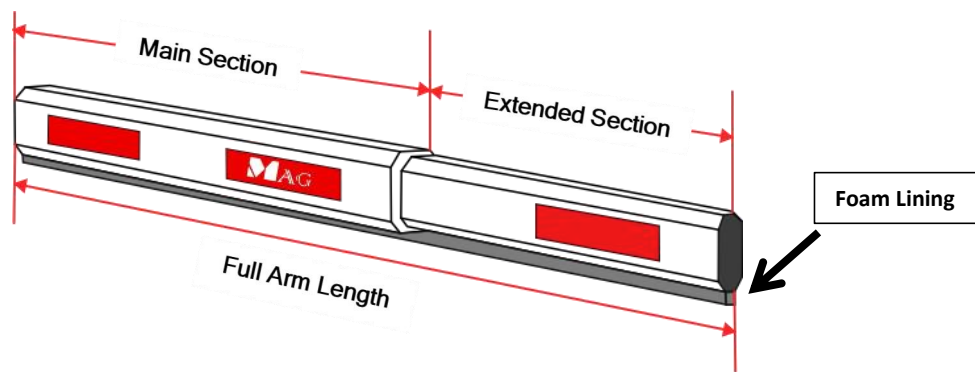
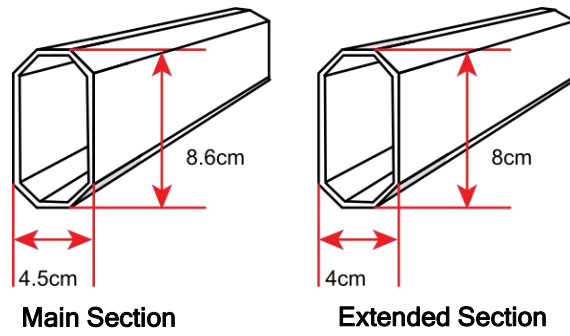
### Features

- ✓ **Lower Cost to Replace an Arm**, It is a common arm broken after hit by a car. The standard arm 4m, 4.5m and 6m is too long and against JPJ government on the road regulation to be transported with a normal car or van. Our telescopic arm can be retracted shorter to fit into a normal car or van. This helps you save money and hassle to rent an expensive big truck just to transport 1 replacement arm.
- ✓ **Spare Part Availability**, If Arm is damage, your site will be exposed to security threats if you have to wait a long time for spare parts to arrive from overseas. MAG offers full spare parts and repairing service locally at an affordable price to ensure your gate can resume operation in the shortest time possible.

### Technical Parameters

Description	Parameters
Housing Material	Aluminium Alloy
Dimension	Main Section - 45mm(W) x 86mm(H) Extended Section - 40mm(W) x 80mm(H)
Length	4m , 4.5m and 6m
Lining Underneath	Foam Lining

# Dimension



Model Barrier Gate	Total Arm Length	Arm Length (Retracted)	Total Weight
BR430T	4m	2.54 meter	3kg
BR618T	4m	2.54 meter	3kg
BR630T	4.5m	2.88 meter	3.2kg
BR660T	6m	3.50 meter	3.8kg

\*Product performances is based on testing in a controlled environment. Your result may vary due to several external and environment factors.



© COPYRIGHT 2023. This documentation served as a reference only. It is subject to change without further notice. All the diagrams and information in this documentation may not be duplicated or modified in any form without the written approval from the management.